



# **XCMG SYDNEY**

**SYDNEY - CANBERRA - WOLLONGONG - SOUTH COAST**

# **XS205S**

## **VIBRATORY ROLLER**



[xcmgsydney.com.au](http://xcmgsydney.com.au)



# XS205S

## PERFORMANCE, RELIABILITY & VALUE

### CUMMINS ENGINE

Renowned Cummins QSB5.9-C190 190 HP water-cooled turbocharged engine with high power reserve, low fuel consumption and low noise emission.

### WIDE ANGLE VISIBILITY

Intelligently designed windows and a high operator seat position ensure the work area around the drum is clearly visible during operation.

### EXCELLENT GRADEABILITY

Closed loop hydraulic system supplied by a variable pump and quantitative motor, by using dual frequency and amplitude and matching of static linear load.

### OPTIONAL VARIANTS

The XS205S vibratory drum roller is available as either Smooth drum or Padfoot drum variants, offering you options to best suit your requirements.

### EXCEPTIONAL COMPACTION

Variable displacement piston pump and constant displacement hydraulic motor result in dual vibrating frequency and amplitude for excellent compaction.

### TORQUE & TRACTION

The cabin uses 3D shock absorbing technology and optimal arrangement of vibrating drum shock absorber to guarantee an excellent shock absorbing effect.

*Designed to  
perform...*





# VIBRATORY ROLLER

## HEAVY DUTY DRUM

Inner-cylinder drum chamber is simple and robust for excellent performance, long lifetime and exceptionally high reliability.

## EFFICIENT MAINTENANCE

The machine hood adopts the linear drive support opening mode and large opening angle enables better accessibility of all parts.

## COMFORTABLE CABIN

The cab's ergonomic design features an adjustable steering wheel, air suspension seat with a seat belt, adjustable armrest control box and ample space for storage.

## RELIABILITY & TRUST

XCMG's key focus is the complete satisfaction and success of every machine owner - making your business as profitable as possible.

## GLOBAL DOMINANCE

XCMG is the World's 3rd largest construction machinery manufacturer, with branches dealers and service agents throughout Australia.

## UNMATCHED SUPPORT

Product experts at your local dealer provide exceptional support throughout your machine's lifetime: operation, maintenance and service from the delivery date through to its last day on the job.



***...built to last.***



# XS205S



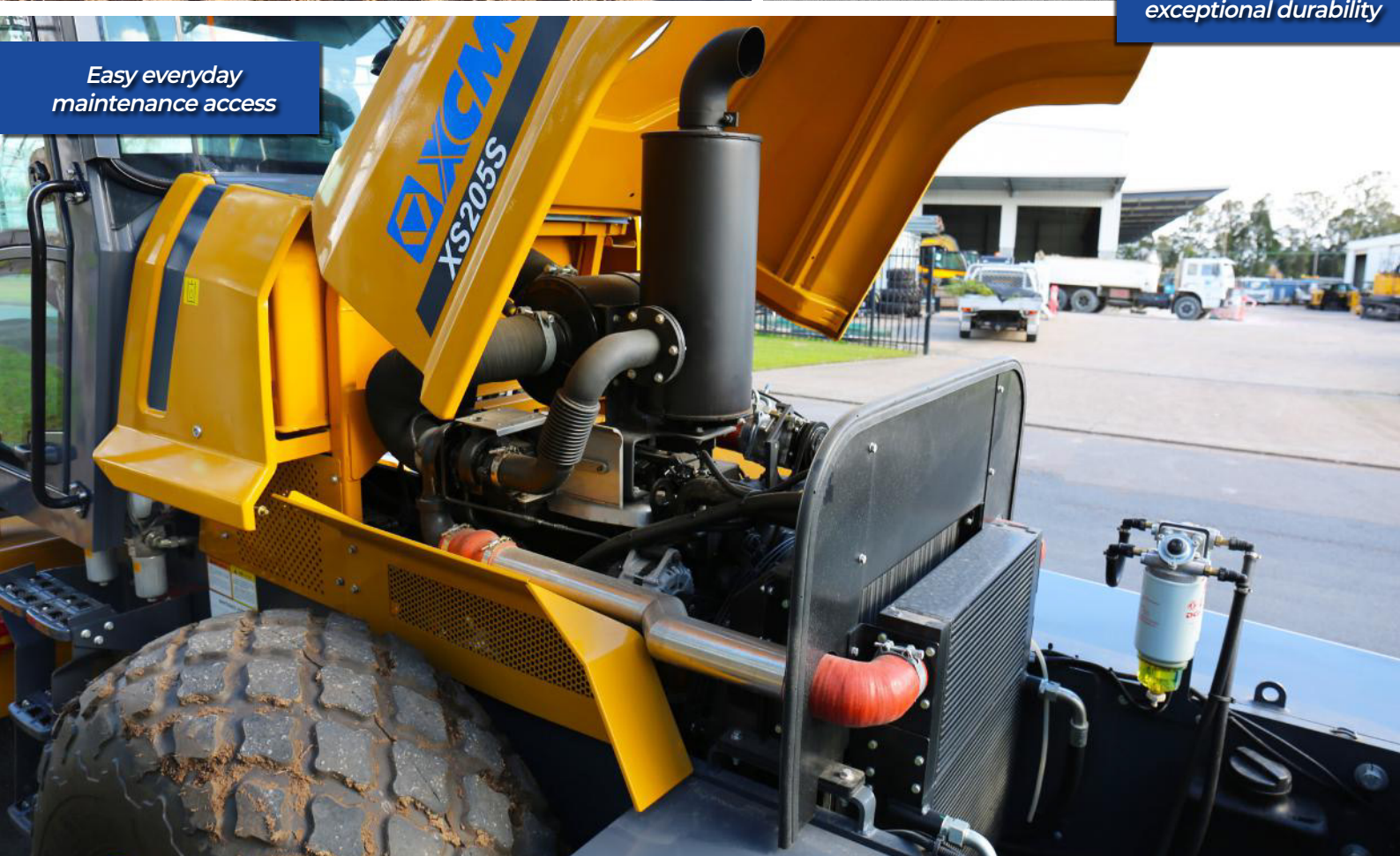
*Padfoot drum  
variant available*



*Renowned Cummins  
QSB5.9-C190 engine*



*Heavy duty drum for  
exceptional durability*



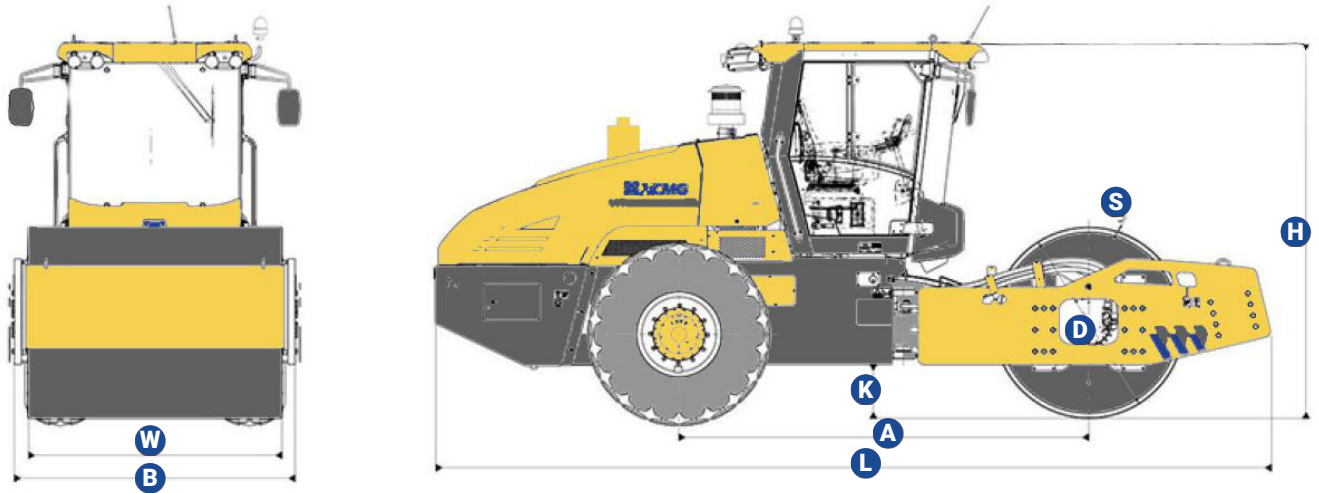
*Easy everyday  
maintenance access*



# VIBRATORY ROLLER



# XS205S SPECIFICATIONS



Dimensions (mm)	A	B	D	H	K	L	S	W
XS205S (Smooth)	3430	2390	1600	3200	490	6990	40	2130
XS205SPD (Padfoot)	3430	2390	1812	3200	490	6990	-	2130

Item	Content	Unit	XS205S (Smooth Drum)	XS205S (Padfoot Drum)
Weight Parameters	Operating Weight:	kg	20000	21600
	Front Axle Weight:	kg	13500	15100
	Rear Axle Weight:	kg	6500	6500
	Static Linear Load:	N/cm	621	-
Propel Performance	Operating Speed:	km/h	0-4; 0-5.9; 0-10.6	0-4.3; 0-6.1; 0-6.3; 0-11.3
	Theoretical Gradeability:	%	50	50
	Minimum Turning Radius:	mm	4770/6900	4770/6900
	Ground Clearance:	mm	490	490
	Wheel Base:	mm	3430	3430
	Steering Angle:	Degrees	+ - 33	+ - 33
	Oscillation Angle:	Degrees	+ - 10	+ - 10
Compaction Performance	Braking Distance:	m	3.9	4.1
	Vibration Frequency:	Hz	28/33	28/33
	Nominal Amplitude:	mm	1.90/0.95	1.55/0.78
	Exciting Force (High/Low Freq):	kN	385/270	385/270
	Drum Diameter:	mm	1600	1812
Hydraulic System	Drum Width:	mm	2130	2130
	Charge Pressure of Drive System:	MPa	2.4	2.4
	Relief Pressure of Drive System:	MPa	38	38
	Relief Pressure of Vibration System:	MPa	33	33
Engine	Relief Pressure of Steering System:	MPa	14	14
	Model:	-	Cummins QSB5.9-C190	Cummins QSB5.9-C190
	Type:	-	Electronic Control Water-Cooled	Electronic Control Water-Cooled
	Rated Power:	kW/HP	142/190	142/190
Tyres	Rated Speed:	RPM	2200	2200
	Spec:	-	23.1-26-12PR	23.1-26-12PR
	Ply Rating:	-	12	12
	Air Pressure:	kPa	150-170	150-170

Note: specifications listed above are correct at June 2022 and are subject to change any time.



# ABOUT US

## INDUSTRY EXPERTISE

XCMG is one of Australia's fastest growing construction, mining and agriculture equipment suppliers.

Offering premium quality excavators, wheel loaders, compaction rollers, graders, elevated work platforms and more, XCMG has the products and the support to keep you working on any job site.

## MACHINERY SALES

XCMG know construction, mining and agri machinery. Count on our dedicated and knowledgeable team of product experts to take the time to understand and satisfy your machinery needs by recommending the right solution for the job.

## AFTERMARKET SUPPORT

We're here to help keep you and your machine working. With an exceptional over-the-counter fill rate on spare parts, you're assured that when you buy an XCMG machine, you'll be looked after throughout your machine's entire lifetime, from start to finish.

Every service job is as important to us as it is to you, and with a dedicated team of machinery technicians, we have ample resources to look after any of your machine repairs or servicing requirements quickly and efficiently.

## RENTALS & HIRE

If you need a high-performance machine with reliability you can trust, and the flexibility of hiring, we have you covered.

Our fleet is diverse, with machines to suit almost any job. Furthermore, because our rental fleet is maintained by factory-trained technicians, you can be confident that you'll not only be getting the best machines on the market, but that it's going to work as hard as you do, day-in day-out.

## ABOUT

*The World's 3rd largest manufacturer of construction and mining equipment.*

*Founded in 1943 - equipped with more than 8 decades of experience in the industry.*

*Manufacturing facilities located around the world: USA, Germany, China, Brazil and India.*

*Extensive supply chain and dealer network throughout Australia offering premium aftersales service and parts support.*

*Deep relationships with corporate giants Rio Tinto, BHP and MMG in Australia.*

## MINI / LARGE EXCAVATORS

*1 to 100+ Tonne*

## WHEEL LOADERS

*5 to 100 Tonne*

## COMPACTION ROLLERS

*1.5 to 30 Tonne Smooth & Padfoot*

## GRADERS

*7.5 to 70 Tonne*

## ACCESS EQUIPMENT

*Lift Heights from 5 to 21 Metres*

## MINING TRUCKS

*20 to 100 Tonne*

**FIND OUT MORE & LOCATE YOUR NEAREST DEALER:**

**[xcmgsydney.com.au](http://xcmgsydney.com.au)**

**“XCMG: FOR YOUR SUCCESS”**



# **XCMG SYDNEY**

**SYDNEY - CANBERRA - WOLLONGONG - SOUTH COAST**

## **YOUR LOCAL XCMG DEALER:**

---

**SYDNEY:** 119-125 Hume Highway, Chullora, NSW, 2190

**CANBERRA:** Lot 5, 44 Railway Street, Oakes Estate. ACT 2620

**WOLLONGONG:** 10 Harris Street, Port Kembla, 2505

---

**(02) 9099 9774**

[sales@xcmgsydney.com.au](mailto:sales@xcmgsydney.com.au)



[xcmgsydney.com.au](http://xcmgsydney.com.au)